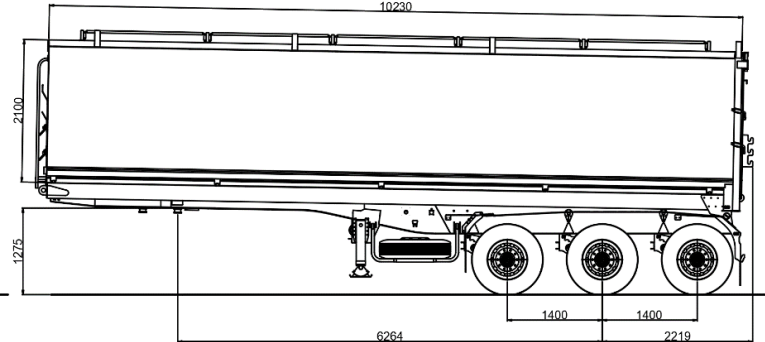
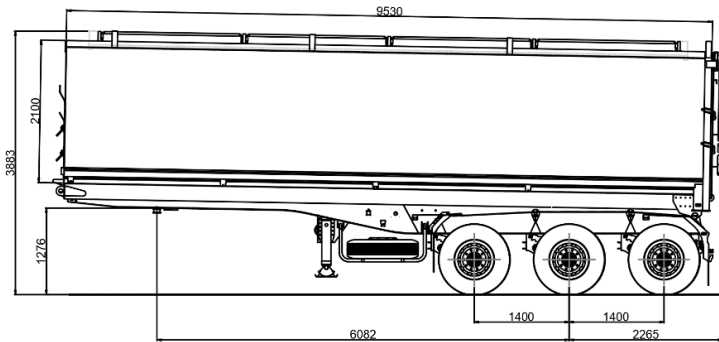




ALLOY GRAIN TIPPER - STANDARD TECHNICAL SPECIFICATION



DIMENSIONS

LENGTH	9530mm Body length (Lead Trailer), 10230mm Body length (Tag Trailer)
HEIGHT	2100mm Body height
CAPACITY	45.7 Cubic meters - 9.53m 49.4 Cubic meters - 10.23m

CONSTRUCTION

CHASSIS	Hi Tensile steel chassis, "I" Beam Design
BODY	5mm Alloy plate side sheets, top & bottom extrusion to meet 6mm floor, extruded main runners, internal hoist well, fabricated 5mm alloy tailgate
SKID PLATE	10mm with 90mm bolt-in Kingpin
FRONT PANEL	with fabricated access door
TAILGATE	One-way top swing with grain door
TARP	PVC roll tarp with manual operated tarp kit
HYDRAULICS	HYVA hydraulic hoist, 1" hydraulic hose fitted to front with coupling
TOWCOUPLING	Ringfeder fitted with lines to the back - 9.53m Trailer Only
ON BOARD SCALE	Rightweigh Bluetooth weigh scale
STEP	Step fitted to rear bumper
MUDFLAP	All rubber guards over tri-group
MUDGAURDS	GTE flaps to front and rear of suspension

ELECTRICAL

LIGHTS	LED multi-volt lighting to ADR 13/00, Road Train & 7 Pin standard Wiring in conduit
---------------	--

RUNNING GEAR

SUSPENSION	K-Hitch KT250 Airbag
AXLE	K-Hitch drum brake axle with 10/285 PCD hubs
BRAKE	EBS Road Train brakes
LANDING LEG	2 speed wind down legs with compensating feet
WHEELS	10/285 PCD alloy wheels (13)
TYRES	11R22.5 tubeless tyres (13)
TYRE CARRIER	Dual swing c/w chains

PAINTWORK

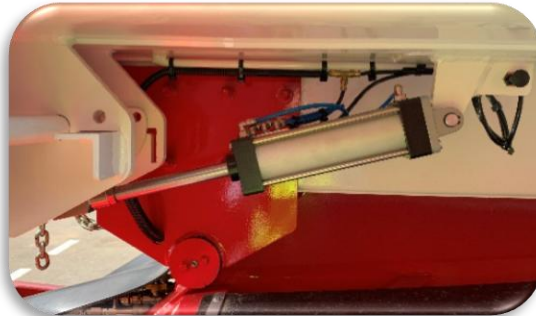
CHASSIS	Painted in high quality 2 pac paint to client specified colour
BODY	Painted (External) in high quality 2 pac paint to client specified colour

WARRANTY

12 months on structural work



DUAL SWRING SPARE WHEEL CARRIER



AIR OPERATED TAILGATE LOCK



BLUE TOOTH DIGITAL WEIGH SACLE



REAR END



GRAIN CHUTE WITH GUIDE